

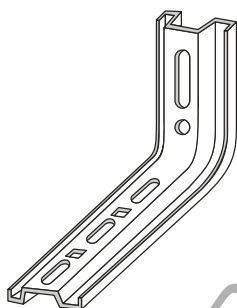
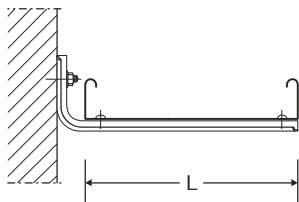
PG: to be used indoors in almost dry atmosphere

DG: to be used outdoors or indoors in humid atmosphere

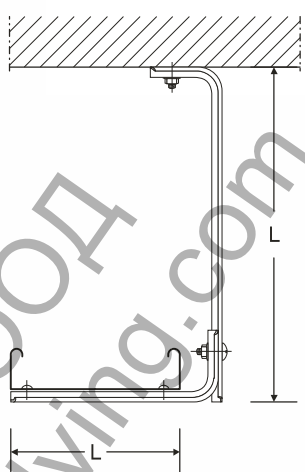
- ELVO support can be used in 2 ways:

- either as a wall mounted bracket. The admissible length is $L=100, 200$ or max 300 mm.
- or as hanging piece (see application p.10/04). In this case the vertical bracket can be between 100 and 600 mm.

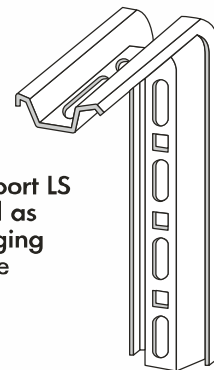
Supports LS used as bracket



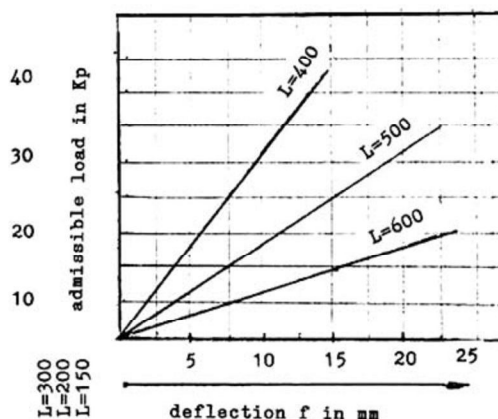
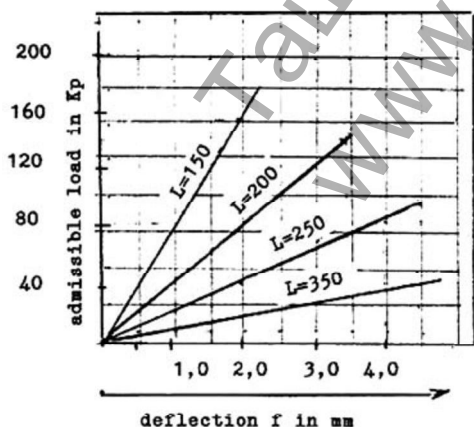
**ELVO - Brackets
10 LS**



Support LS used as hanging piece

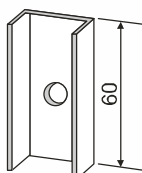


L mm	Part Nr. PG	Part Nr. DG	Weight KG/p
150	10 LS-10.PG	10 LS-10.DG	
200	10 LS-15.PG	10 LS-15.DG	
250	10 LS-20.PG	10 LS-20.DG	
350	10 LS-30.PG	10 LS-30.DG	
450	10 LS-40.PG	10 LS-40.DG	
550	10 LS-50.PG	10 LS-50.DG	
650	10 LS-60.PG	10 LS-60.DG	



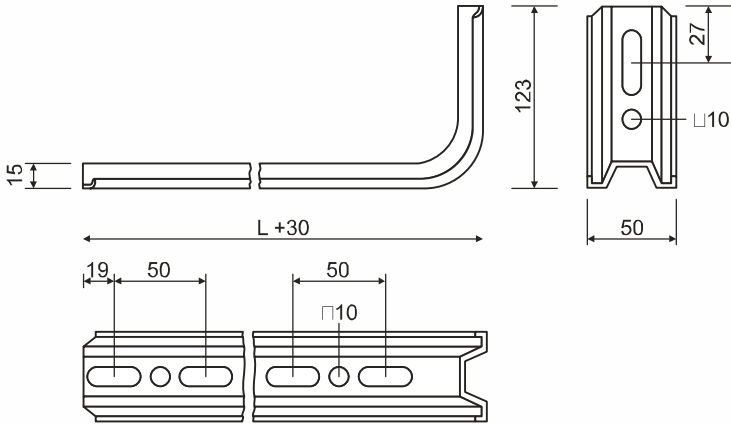
Distance piece

Part Nr.	Weight KG/p
10SDP-4.PG	
10SDP-4.DG	

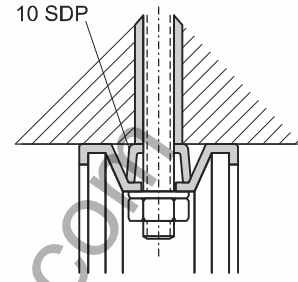


ELVO - Brackets LS

Dimension



Fixing details



Applications

